

GEOMETRY

interactive NOTEBOOK

4TH GRADE

This unit includes
16 different
division
activities

math



TABLE OF CONTENTS

Geometry Vocabulary Flaps	4
Geometry Match Flaps	7
Drawing Geometric Terms Flaps	12
Identifying Lines in Shapes Flaps	15
Angle Sort	20
Measuring Angles Flaps	26
Angle Measurement Puzzles	31
Drawing Angles Flaps	37
Additive Angles Flaps	42
Decomposing Angles	47
Find the Missing Angle Flaps	52
Name the Shape Flaps	57
Polygon Sort	62
Triangle Sort Flaps	66
Identifying Line Symmetry Flaps	74
Drawing Lines of Symmetry Flaps	79

Table of Contents with each activity listed for quick reference.

GEOMETRY MATCH
Match each geometry vocabulary word with the its corresponding picture. Glue each picture under the proper flap.

Point	Line	Ray	Line Segment
Angle	Acute Angle	Right Angle	Obtuse Angle
Perpendicular Lines	Parallel Lines	Line of Symmetry	Right Triangle

The Not So Crazy Teacher

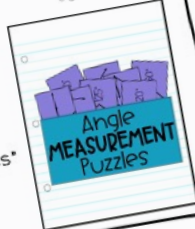
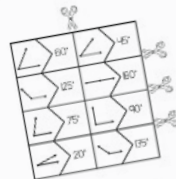
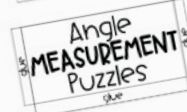
A great tool for practicing new skills and assessing mastered skills.



Super-simple cuts and no unnecessary coloring.

ANGLE MEASUREMENT PUZZLES

- Each student will need a half page containing the pocket and a full page containing the puzzle pieces.
- Cut out the pocket, being careful to cut around each of the "Fold and Glue Here" flaps.
- Apply glue to each of the pocket flaps labeled "Fold and Glue Here." Then, fold the flaps back, so they are under the pocket.
- The pocket should be glued to the notebook so that it is open on a half page and puzzle pieces can be placed inside.
- Next, cut out the rectangle containing the puzzle pieces. Then, cut vertically down and horizontally across to get eight separate pairs of puzzle pieces.
- Carefully cut each pair of puzzle pieces apart to get 16 individual pieces.
- Mix up the puzzle pieces, then match the pieces in pairs.
- Store the pieces in the "Angle Measurement Puzzles" pocket for reference.



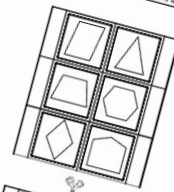
NAME THE SHAPE FLAPS

Each student will need one page of flaps.

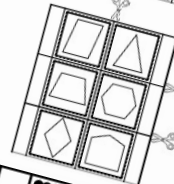
Draw a rectangular title at the top



Draw a large rectangle with



Cut down the middle to get six



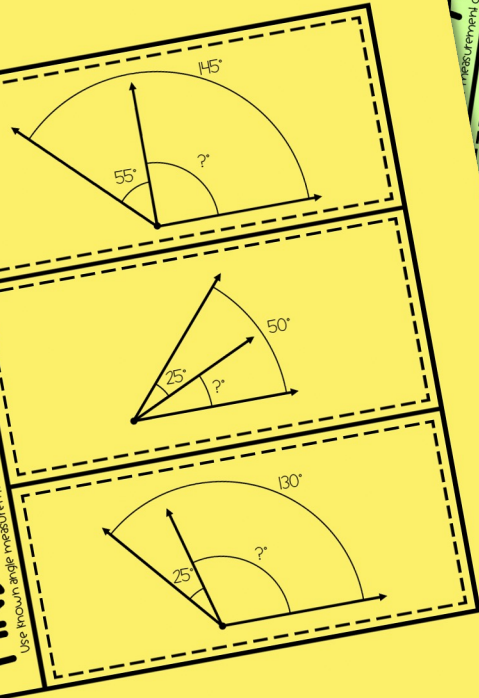
Glue the underside of the flaps on each flap.



Detailed cutting and gluing directions for each activity page.

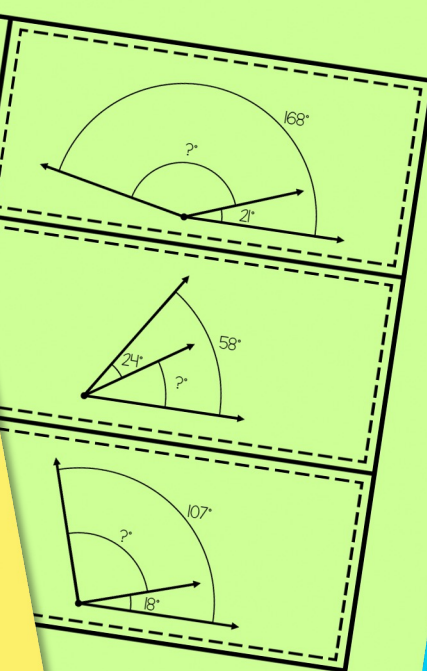
FIND THE MISSING ANGLE

Use known angle measurements and subtraction to find the measurement of the missing angle.



ANGLE

Measurement of the missing angle.



Multiple versions of most activities allow for differentiation.



ANSWER KEY

FIND THE MISSING ANGLE

90°

25°

105°

FIND THE MISSING ANGLE

32°

54°

105°

FIND THE MISSING ANGLE

147°

34°

89°

ANSWER KEY

ANGLE SORT

ANGLES

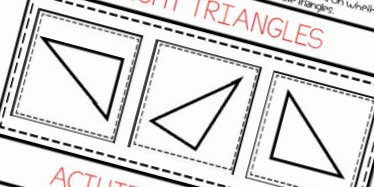


ES

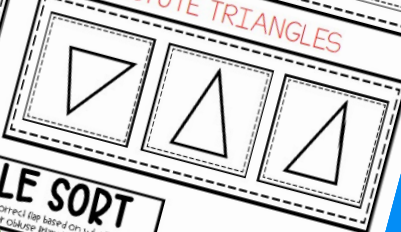


TRIANGLE SORT

RIGHT TRIANGLES



ACTUTE TRIANGLES



LE SORT

ANGLES



OBTUSE TR

Activity answer keys included for easy checking.